



Model: Multivac
Type: R535
Year: 2014

Multivac R535 automatic horizontal stretch wrapper 2014. Max height 600mm. Max length 10500mm, max width 420mm. Max weight 3.1t. Max number of layers 4. Max thickness 2mm. Max roll diameter 1050mm. Max roll length 10500mm.

Technical specifications

- Production speed: 76 pieces per hour.
Dimensions: .
Weight: 1 QRP.
Power consumption: .
Capacity: Roll-up, max 2 rolls.
Accessories: .

Additional information:

- Condition: .
Location: .
Reference: .
Contact: .

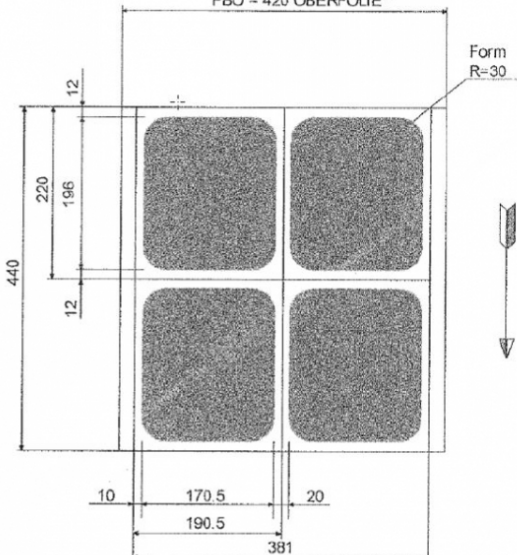
For more information, please contact us at [phone number] or [website].



Packungsmaß: 127,00 mm x 600,00 mm
Formmaß: 107,00 mm x 576,00 mm
min. Produktgewicht: 2000 g, max. Produktgewicht: 4000 g

Formatskizze - VORABVERSION

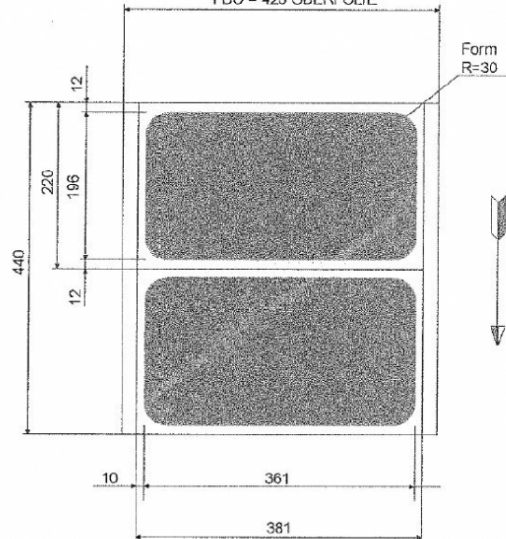
FBU = 420 UNTERFOLIE*
FBO = 420 OBERFOLIE**



Packungsmaß: 190,50 mm x 220,00 mm
Formmaß: 170,50 mm x 196,00 mm
min. Produktgewicht: 1500 g, max. Produktgewicht: 3000 g

Formatskizze - VORABVERSION

FBU = 420 UNTERFOLIE*
FBO = 420 OBERFOLIE**



Packungsmaß: 381,00 mm x 220,00 mm
Formmaß: 361,00 mm x 196,00 mm
min. Produktgewicht: 2500 g, max. Produktgewicht: 5000 g

